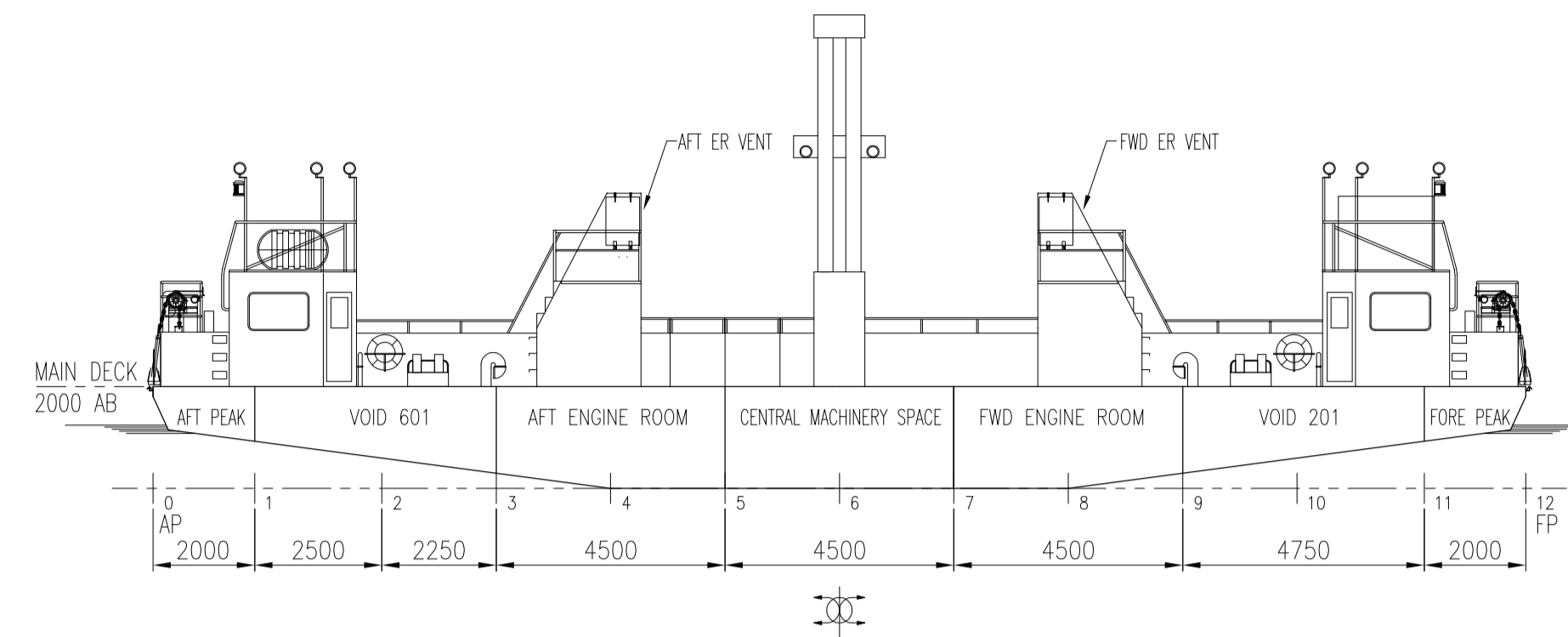
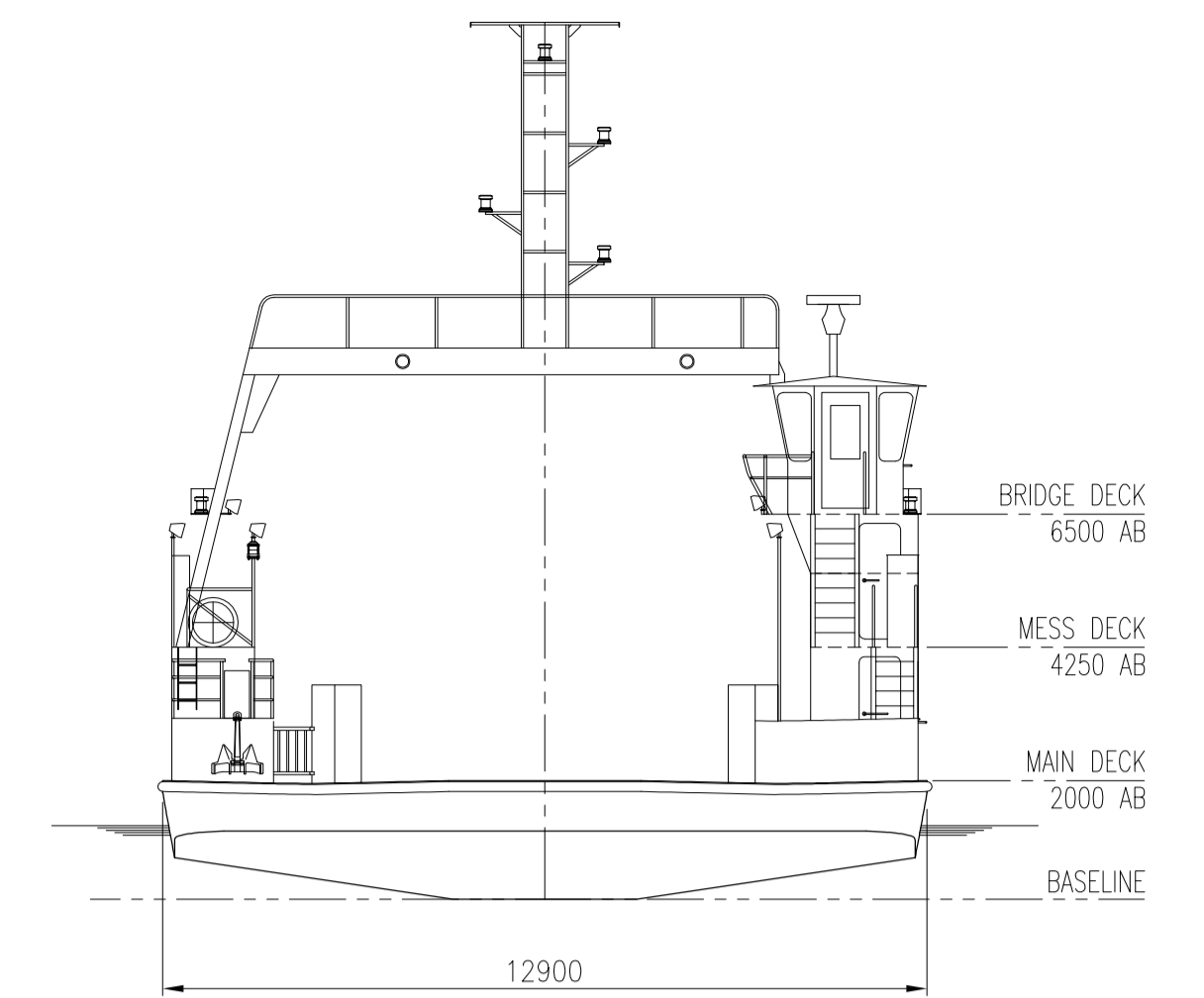


ELEVATION ON STARBOARD SIDE



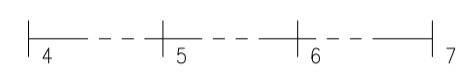
ELEVATION INBOARD OF PORT SIDE

RAMPS EXCLUDED

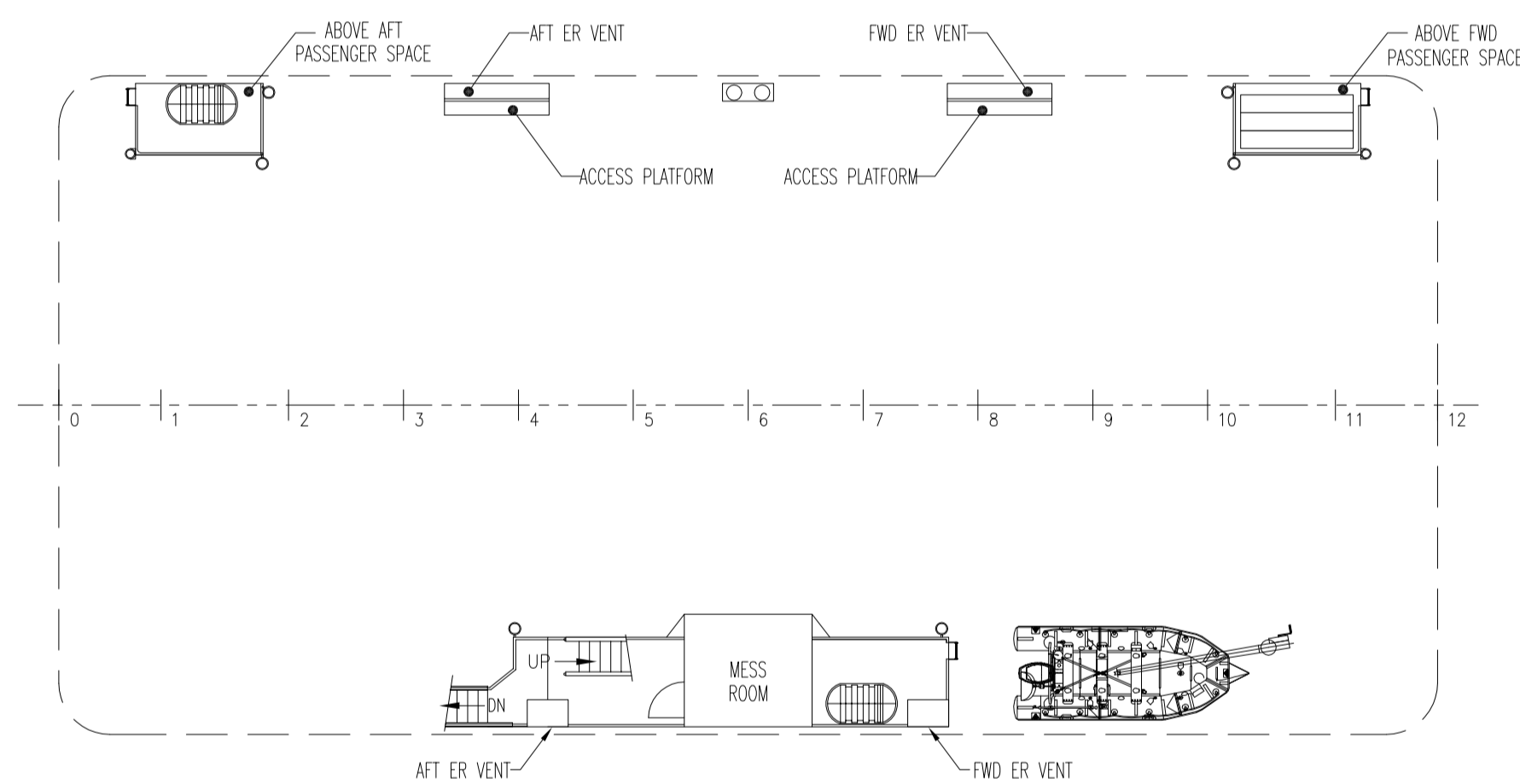


SECTION VIEW

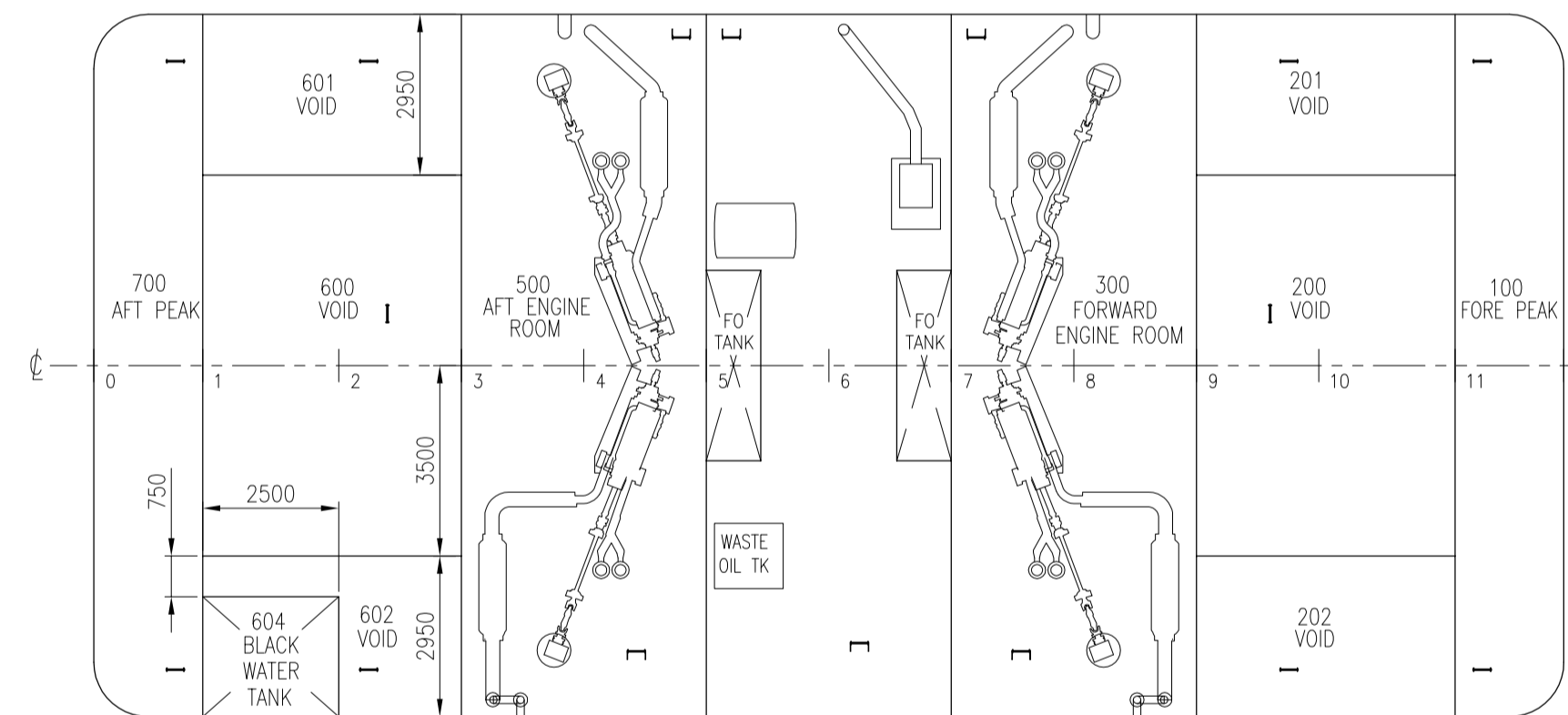
DRAWN FROM AFT LOOKING FORWARD
RAMPS EXCLUDED



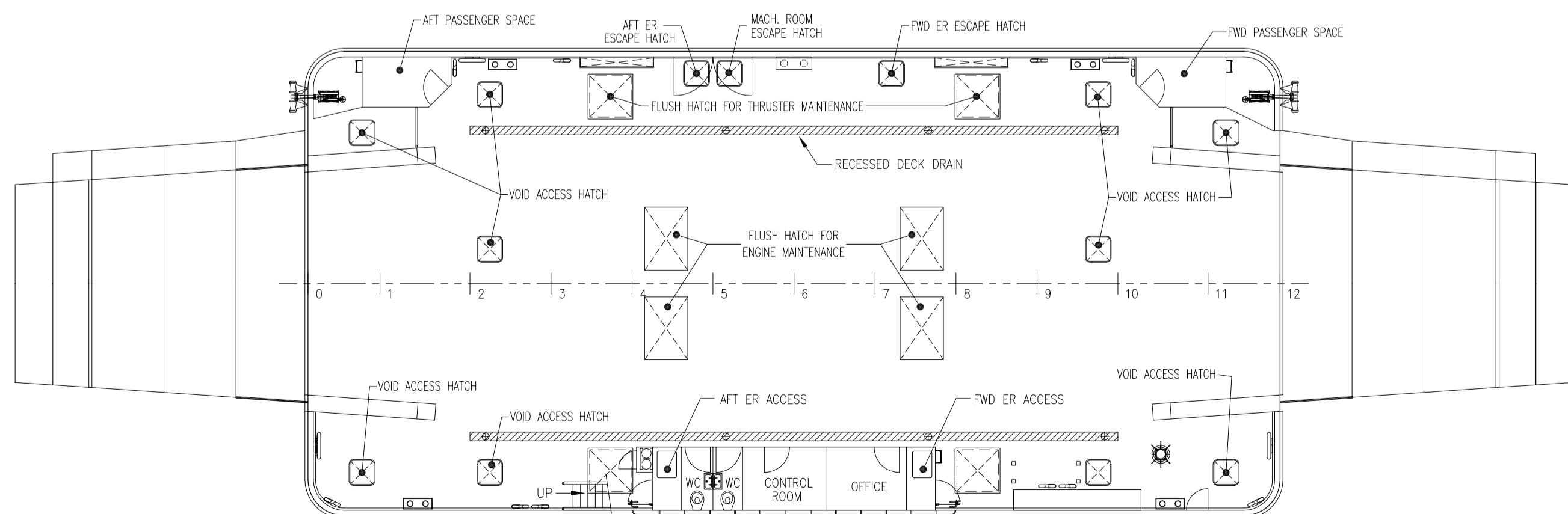
PLAN AT BRIDGE DECK



PLAN AT 4250 AB



PLAN BELOW MAIN DECK



PLAN AT MAIN DECK

PRINCIPAL DIMENSIONS

LENGTH OVERALL (INCLUDING RAMPS)	47.00 M
LENGTH BETWEEN PERPENDICULARS	27.00 M
BREADTH (MOULDED)	12.90 M
BREADTH (EXTREME)	13.10 M
DEPTH (MOULDED)	2.00 M
SCANTLING DRAUGHT (MOULDED)	1.28 M
MAX OPERATING DRAUGHT (MOULDED)	1.24 M

REV.	DATE	DRAWN	DESCRIPTION	APPROVED ENGINEERING	APPR. PROJ.
A	15 July 2017	SCa	UPDATED TO ACCOUNT OF YARD MODS		SCa
1	05 Jun 2017	SCa	UPDATED TO ACCOUNT FOR VESSEL MODS		SCa
0	09 May 2017	SCa	1st ISSUE. SCALED FROM HARD COPY OF BERNE FARGE		

PROJECT FRAZER MARINER RO-RO FERRY

SUBJECT GENERAL ARRANGEMENT PLAN

ORIGINATOR	SIZE	DRAWING UNITS	SCALE	PROJECTION
SCa	A1	mm	1:125	

CONTRACTOR DOCUMENT No.

© Copyright NUA Marine Design Ltd. This document is the property of NUA Marine Design Ltd and may contain confidential and proprietary information. It may not be used for any purpose other than that for which it is supplied. This document may not be wholly or partly disclosed, copied, duplicated or in any way made use of without prior written approval of NUA Marine Design Ltd.

NUA Marine Design Ltd DRAWING No.						
unit/vessel	system/area	group/cluster	disc.	loc. type	sheet no.	revision
FM-10130	-101-N-A	-001				A